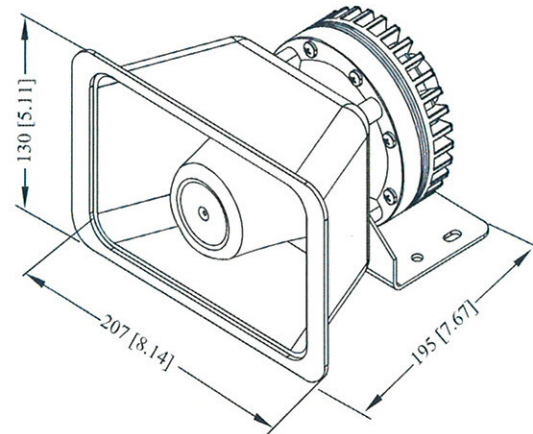


DH-3

Driver/Horn Type 3



DH-3 Dimensions

Introduction

The Driver/Horn Type-3 is designed to be used in combination with our Train Digital Sound Generator TDSG-200/25. To use the full capabilities of the TDSG-200/25, it is recommended that two (2) DH-3 units be connected in a series to the output of the TDSG-200/25. To withstand extreme external environmental conditions, this unit is IP 67 compliant and, if required, can be delivered with an optional integrated heating element.

Specifications: Driver/Horn Type-3

Power Rating	110 Watt RMS, 150 Watt max. (8 ohm)	
A.C. Impedance	11 ohm	
DCR	4.7 ohm	
Frequency Range	275 ~ 5000 Hz	
Sensitivity	111 dB at 1W/1m	
Horn Coupling	1-3/8" - 18 male thread	
Option	Integrated heating element	
Connector	Spacecraft SCPB07R-18-1-SWF80	
Environment	Temperature	-40 ~ +185 °F (-40 ~ +85 °C), Operating
	Humidity	-95% @ 104 °F (+40 °C) (non condensing), Operating
	Compliant with	EN 50155
Physical Characteristics	Construction	Aluminum
	Finish	Black powder coating chosen for durability, environment stability and anti-corrosion against 240 h salt spray test
	Mounting	Stand alone mounting
	Dimensions (WxHxD)	8.14" x 5.11" x 7.67" (207 x 130 x 195mm)
	Weight	5.2 lb (2.39 kg)

Ordering Information

Part Number	Description
6950 0000 5496	Driver/Horn Type 3 (DH-3)

VECOM USA

Your Reliable Supplier for Mass Transit

VECOM USA, LLC 4803 George Road, Unit 300, Tampa, FL 33634 Tel: 813-901-5300 Fax: 813-433-2458
 Website: www.vecom-usa.com E-mail address: info@vecom-usa.com

Information is subject to change due to new developments and technology. All rights reserved. November 2010